

產品介紹

Antech, Singapore

- Omni Antenna
- Panel Antenna
- Yagi Antenna
- UHF Antenna



Omni Antenna

Specification:

- Model No.:AIA 0825
- Frequency Range : 800-1000/1700-2500MHz
- Gain : 3 dBi
- VSWR :1.5:1 max.
- Power Rating :50W
- Radiation : azimuth :Omni directional
Vertical : 55 degrees
- Polarisation : vertical
- Impedance : 50 ohms
- Connector : N female

Mechanical:

- Weight : 0.32Kg
- Height : 85mm
- Cover diameter : 165mm



Panel Antenna

Specification:

- Model No.:AIA 0825/P
- Frequency Range : 824-960/1710-2500MHz
- Gain : 7 dBi
- VSWR :<1.5:1 max.
- Power Rating :50W
- Radiation : Horizontal :85 degrees
Vertical : 55 degrees
- Polarisation : vertical
- Impedance : 50 ohms
- Connector : N female

Mechanical:

- Weight : 0.5Kg
- Size : 203 x 156 x 46 mm



編號：XWCT-94-03-IN-07-01

頁次：8 之 1 頁

申請公司：禾豐開發科技有限公司 電話：(02)8972-6289 地址：台北市安和路 2 段 63 號 6 樓	
器材名稱：Combining Box/Antenna 廠牌： 型號：HPOI-900/1800/2200-3I-1O-1M, HPOI-900/2200-2I-1O-1M, HPOI-1800/2200-2I-1O-1M, ANTECH AIA 0825 Omni-Antenna, AIA 8025/P Panel-Antenna	
受理日期：94 年 02 月 16 日	收件日期：94 年 02 月 16 日
完成日期：94 年 03 月 21 日	
測試項目：PIM/Isolation/Insertion Loss/Return Loss/Coupling Loss/VSWR/Gain	
測試方法：GSM900/GSM1800/UMTS-IMT-2000 PIM 分析儀經過當暖機後，再連同連接線及終端器一併校正。校正完成後，移除連接線及終端器，再把 PIM 分析儀輸出端接上待測 POI 輸入端，另一端接上 POI 輸出端，POI 未使用的輸出端及輸入端接上 Dummy Load，進行 PIM 值量測。8720ES 網路分析儀經過當暖機後，再連同連接線及終端器(Open、Short 和 50 ohm 負載)進行校正。校正完成後，移除終端器，再把待測物接上連接線，待測物未使用的輸出端及輸入端接上 Dummy Load，進行 Isolation/Insertion Loss/Return Loss/VSWR/Coupling Loss 量測。天線效能量測設備經過當暖機後，再連同連接線及標準天線進行校正。校正完成後，移除標準天線，再把待測天線置於載台上，在天線電波暗室中進行 Gain 值測試。Input power 測試則使用 PIM 分析儀輸出 20Wx2 功率接上待測天線輸入端，在電波暗室內進行 Input power 量測。	
測試使用儀器：Summitek SI-900B for GSM900、SI-1800B for GSM1800、SI-2000B/E for UMTS-IMT2000、SI-30A 終端器、M to M 連接線。8720ES for Isolation/Insertion Loss/Return Loss/VSWR/Coupling Loss 測試。測試 Gain/Pattern 時使用天線效能量測設備+連接線+標準天線+天線量測用電波暗室。	
量測誤差：由於機械、設備和人為的因素，Gain 誤差值為： $\pm 0.5\text{dBi}$ ，PIM 可能的量測誤差值為： $\pm 1\text{dB}$ 。Isolation/Coupling Loss 可能的量測誤差值為： $\pm 1\text{dB}$ 。	
測試環境：溫度 20~23°C，濕度 60~65% R.H.。	
測試結果：如附頁所示。	
報告簽署人	測試人員
許桓圓 3/1	馬銘志 3/1



表 D：ANTECH AIA 0825 OMNI Antenna(S/N: 001)測試結果

Frequency(MHz)	GSM900(890~960)	GSM1800(1710~1880)	UMTS(1920~2170)
Polarization	Vertical		
Gain(dBi)	2.9	3.1	3.1
VSWR	1.33	1.34	1.38
Input Power	40W(Minimum)		

表 E：ANTECH AIA 8025/P PANEL Antenna (S/N: 88233-1)測試結果

Frequency(MHz)	GSM900(890~960)	GSM1800(1710~1880)	UMTS(1920~2170)
Polarization	Vertical		
Gain(dBi)	7.8	5.5	6.0
VSWR	1.80	1.77	1.71
Input Power	40W (Minimum)		



Yagi Antenna

Specification:

- Model No.: AYA-1725/11
- Frequency Range : 1710-2500MHz
- Gain : 9 dBd
- VSWR : <1.8:1 max.
- Power Rating : 50W
- Radiation : Horizontal : 58° at 1990MHz
Vertical : 45° at 1990MHz
- Polarisation : vertical
- Impedance : 50 ohms
- Wind Resistance : 150km/h
- Connector : SMA female with pigtail N type

Mechanical:

- Weight : 0.5Kg
- Size : 340 x 130 x 72 mm



郵遞區號: 333
桃園縣龜山鄉樂善
村文明路29巷8號
TEL: (03)3280026

財團法人台灣電子檢驗中心

測試報告

TEST REPORT
ELECTRONICS TESTING CENTER, TAIWAN

郵遞區號: 300
新竹市科學園區
園區二路47號205室
TEL: (03)5798806

Page 1 of 5

工服 NO. ET95C-03-007-02
申請者: 禾豐開發科技有限公司
Applicant
測試日期: Mar. 01, 2006
Date of Inspection
測試物品: 天線
Commodity
廠牌: ANTECH PET LTD
Mfg.
型別: AYA-1725/11
Model
數量: 1
Quantity
識別號碼: 3378-7
S/N
測試項目: Gain Pattern & VSWR Test (Max. 1.44 in 1710~1880MHz, 1.77 in 1920~2170MHz)
Inspection Items

使用標準器及零配件 STANDARD AND ACCESSORIES USED

儀器名稱 Nomenclature	廠牌/型號 Mfg. / Model No	識別號碼 ID. No.	校驗有效日 Due Date
Horn Antenna	EMCO 3115	13057307-001	Mar. 07, 2007
Network Analyzer	HP 8753D	43051201-001	Oct. 20, 2006

台灣電子檢驗中心
ELECTRONICS TESTING CENTER
TAIWAN



部門主管
Dept. Manager



測試報告

台灣電子檢驗中心
ELECTRONICS TESTING
CENTER, TAIWAN

TESTING REPORT

工服NO.ET95C-03-007-02

Antenna Gain and Pattern Measurement

page 2 of 5

Antenna Under Test(AUT): AYA-1725/11

ET95C-03-007-02

Test Date : MAR.01,2006

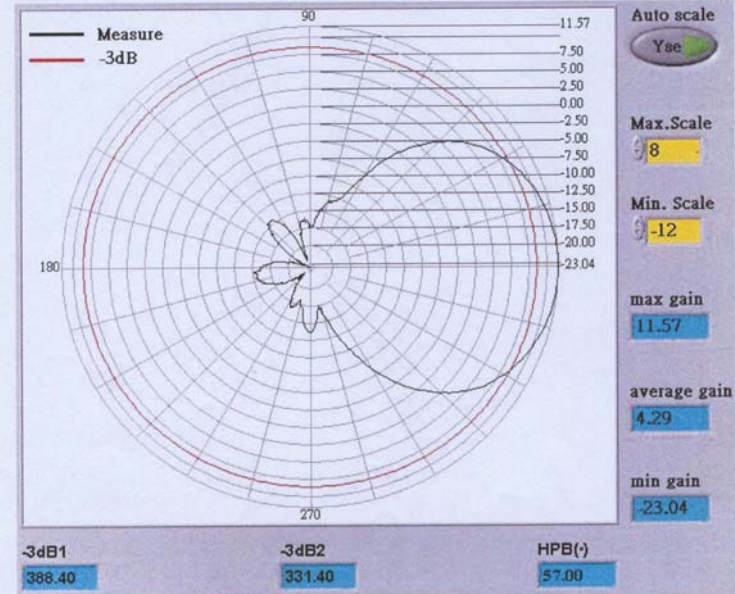
Test Frequency: 1805 MHz

Test Polarization: Vertical

Test Plane: H-Plane

Tester: 薛學倫

Max.Gain:	11.57 dBi
Min.Gain:	-23.04 dBi
Average Gain:	4.29 dBi



ANTECH PTE LTD

測試報告

台灣電子檢驗中心
ELECTRONICS TESTING
CENTER, TAIWAN

TESTING REPORT

工 服NO.ET95C-03-007-02

Antenna Gain and Pattern Measurement

page 3 of 5

Antenna Under Test(AUT): AYA-1725/11

ET95C-03-007-02

Test Date : MAR.01.2006

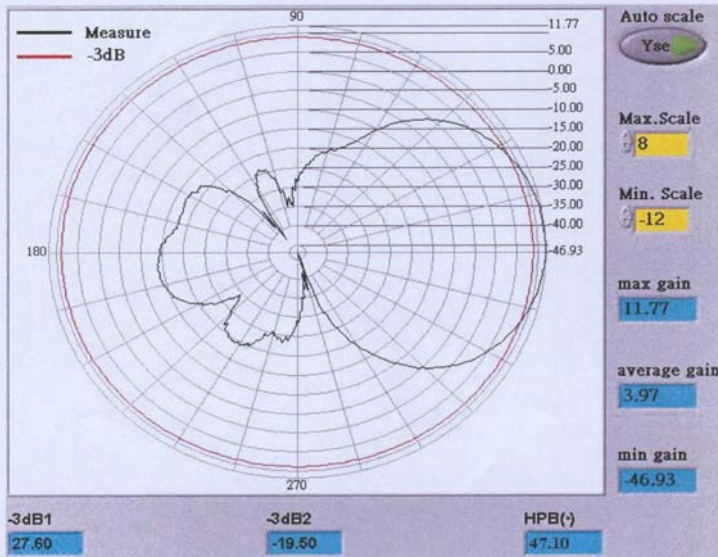
Test Frequency: 1805 MHz

Test Polarization: Horizontal

Test Plane:E-Plane

Tester: 許 存 鈞

Max.Gain:	11.77 dBi
Min.Gain:	-46.93 dBi
Average Gain:	3.97 dBi



測試報告

台灣電子檢驗中心
ELECTRONICS TESTING
CENTER, TAIWAN

TESTING REPORT

工 服NO.ET95C-03-007-02

Antenna Gain and Pattern Measurement

page 4 of 5

Antenna Under Test(AUT): AYA-1725/11

ET95C-03-007-02

Test Date : MAR.01.2006

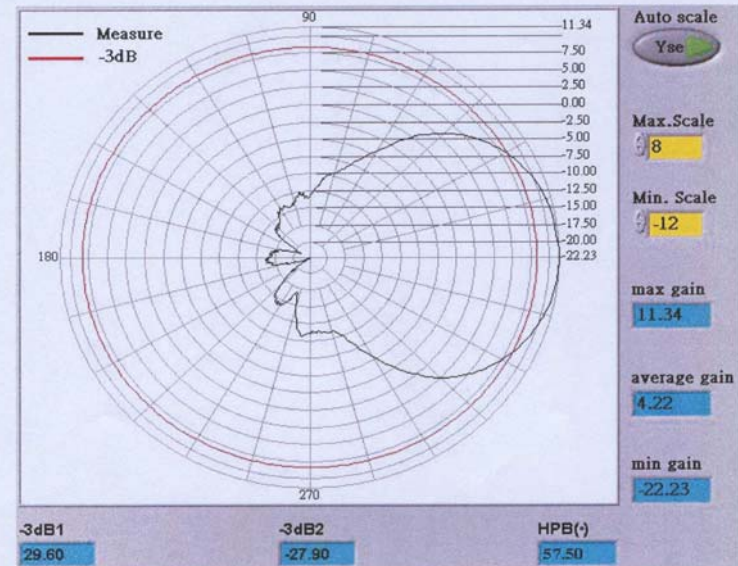
Test Frequency: 2110 MHz

Test Polarization: Vertical

Test Plane: H-Plane

Tester: 許 存 鈞

Max.Gain:	11.34 dBi
Min.Gain:	-22.23 dBi
Average Gain:	4.22 dBi



ANTECH PTE LTD

測試報告

台灣電子檢驗中心
ELECTRONICS TESTING
CENTER, TAIWAN

TESTING REPORT

工 服NO.ET95C-03-007-02

Antenna Gain and Pattern Measurement

page 5 of 5

Antenna Under Test(AUT): AYA-1725/11

ET95C-03-007-02

Test Date : MAR.01,2006

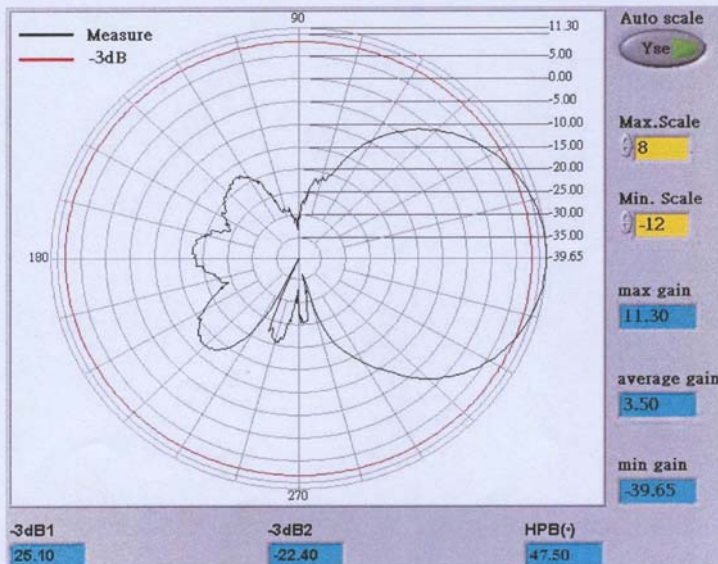
Test Frequency: 2110 MHz

Test Polarization: Horizontal

Test Plane: E-Plane

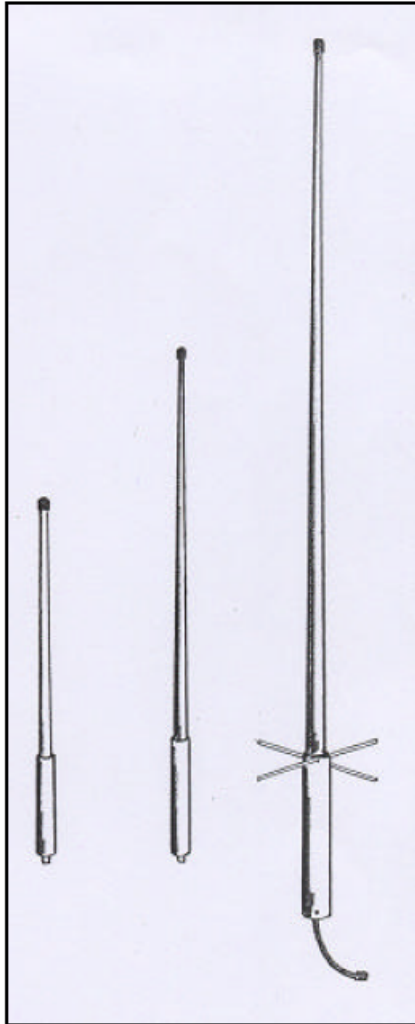
Tester: 邱育鈞

Max.Gain:	11.30	dB
Min.Gain:	-39.65	dB
Average Gain:	-3.50	dB



ANTECH PTE LTD

ACA4..Series UHF COLINER ANTENNAS



SPECIFICATION

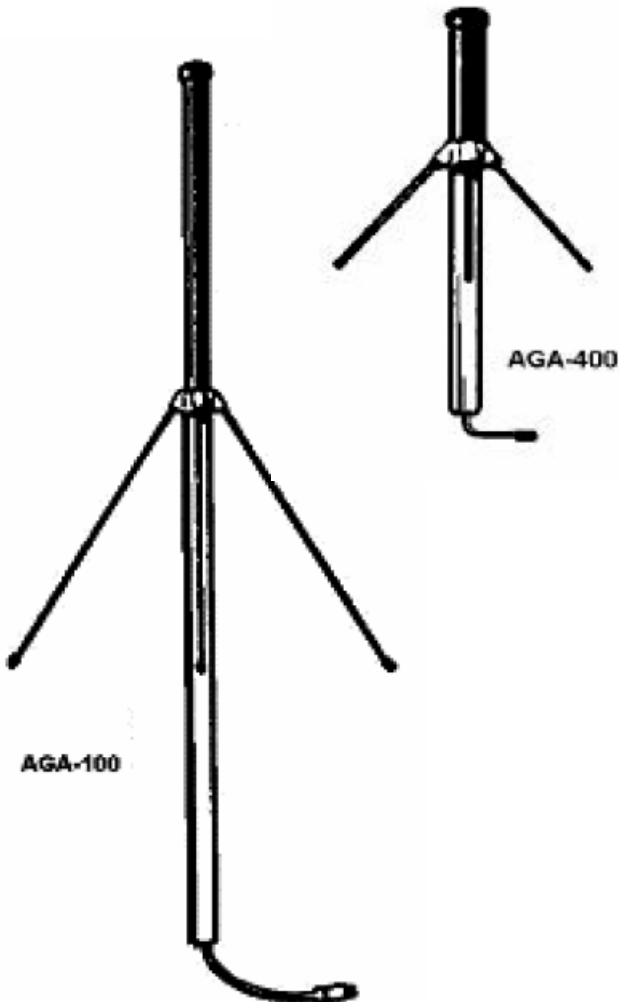
Model	ACA-400	ACA-403	ACA-406
Freq. Range	380-500 MHz		
Gain	Unity	3dBd	6dBd
Band Width	20 MHz		30 MHz
Power	80W		100W
Connector	'N' Female		
3dB beam vertical	90 degrees	35 degrees	17 degrees
VSWR max	1.5:1	1.5:1	1.5:1

Mechanical

Weight approx.	1.2 Kgs	2.4 Kgs	4.2 Kgs
Length approx.	0.4m	1.2m	3m
Material	Fibreglass		
Horiz. thrust	6 Kgs	19 Kgs	32 Kgs
Projected Area	0.03 sq.m	0.1sq.m	0.16sq.m
Mfg. Tube Dia.	25mm		38mm



MONOCONE ANTENNAS



		AGA-100	AGA-400
Frequency Range	Mhz	118 - 174	220 - 520
Bandwidth	%	8	8.5
Power Rating	watt	300	300
VSWR		1.6:1max	1.6:1max

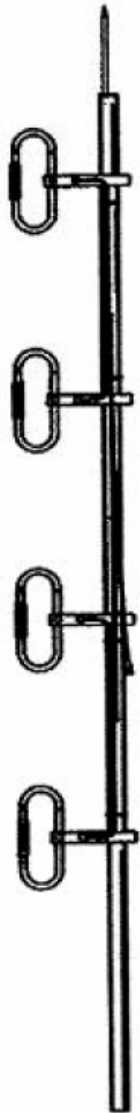
MECHANICAL SPEC

Weight	kg	3	1
Height	cm	160	60
Projected Area	m/sq	0.1	0.04
Horiz. Thrust	kg	20	8
Mounting Dia.	mm	40	40

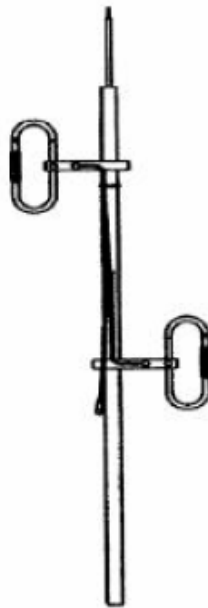


ANTECH PTE LTD

BOARD BAND DIPOLE ARRAYS



AS-400/4 offset



AS-400/2 omni

ELECTRICAL SPECIFICATION

	ASD-400	ASD-400/2	ASD-400/4
Freq.range	400-520 MHz		
Bandwidth	80 MHz		
VSWR	max.1.5:1		
No. of dipoles	one	two	four
Gain omni	-	3dbd	6dbd
Offset forward	2db	6db	9db
Offset reverse	-1db	2.4db	4db
Power rating	150W	400W	800W

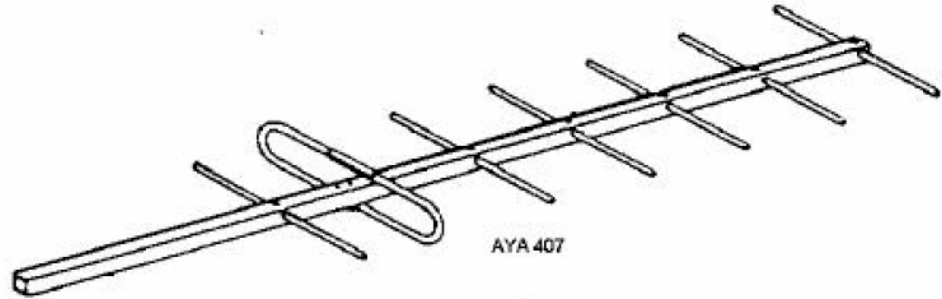
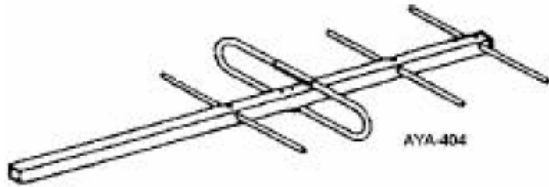
MECHANICAL SPECIFICATION

	ASD-400	ASD-400/2	ASD-400/4
Weight	0.6 kg.	6 kgs.	8 kgs.
Height		1.4 m	3.2 m
Proj. area	0.03 sq. m	0.1 sq. m	0.18 sq. m
Horiz thrust	5.5 kgs	20 kgs	36 kgs
Mtg. Tube	45mm		



ANTECH PTE LTD

UHF YAGI ANTENNA



ELECTRICAL SPECIFICATIONS

Models for 150W	AYA-403	AYA-404	AYA-407	AYA-410	AYA-415
Frequency Range	300-500 MHZ				
Gain	7dBi	10dBi	12dBi	14dBi	16dBi
E-plane	56 deg	50 deg	38 deg	35 deg	28 deg
H-plane	88 deg	62 deg	45 deg	40 deg	35 deg
Front to Back ratio	13db	14 Db	15dB	17dB	18dB
Bandwidth	8%				
Impedance	50 ohm				
Connector	Type N Female				

MECHANICAL SPECIFICATION

Length (cm)	51	65	120	190	270
Weight (kg)	0.8	0.9	1	1.5	2
Mounting tube	1" sq.				
Wind Loading	150 km/h				



ANTECH PTE LTD

AIA-400/_ INDOOR ANTENNA

SPECIFICATION

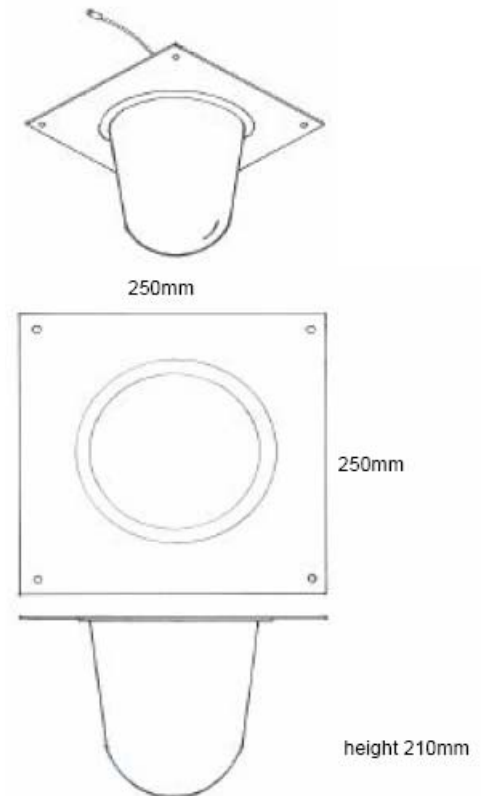
AIA-400	
Freq. Range	350-500 MHz
Bandwidth	50 MHz
Radiation Pattern	omni
Vertical	95 deg.
Gain	unity
VSWR max	1.5:1
Power Rating	80w
Connector	N female

AIA-400/B (Broad band)	
Freq. Range	350-550 MHz
Bandwidth	130 MHz
Radiation Pattern	omni
Vertical	95 deg.
Gain	unity
VSWR max	1.5:1
Power Rating	80w
Connector	N female

MECHANICAL

Weight	0.7 kg.
Height	21cm
Cover dia	18 cm
Ground Plane	25 X 25 cm sq

Weight	1 kg
Height	19 cm
Cover dia	20 cm
Ground Plane	25 X 25 cm sq



ANTECH PTE LTD